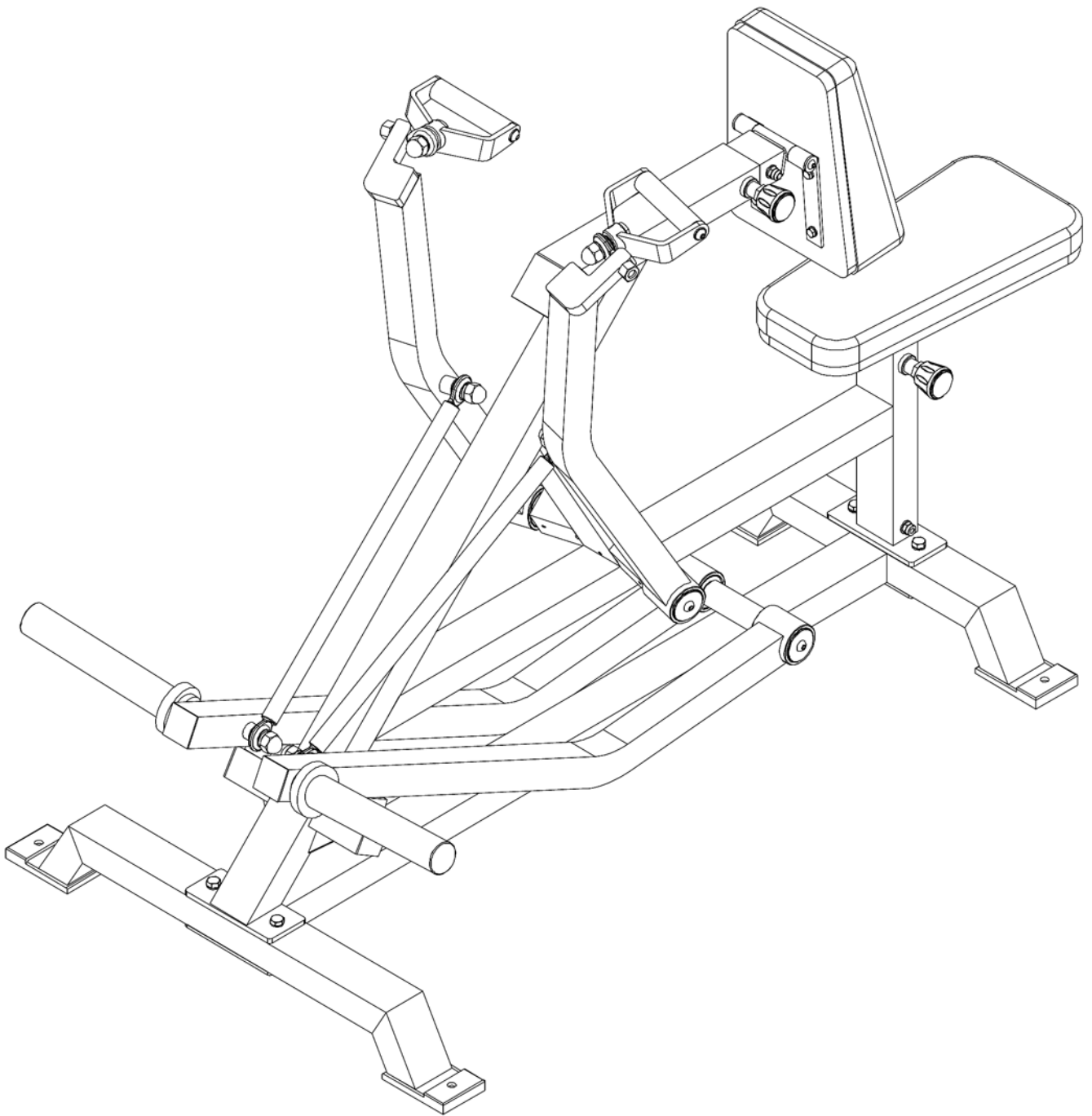


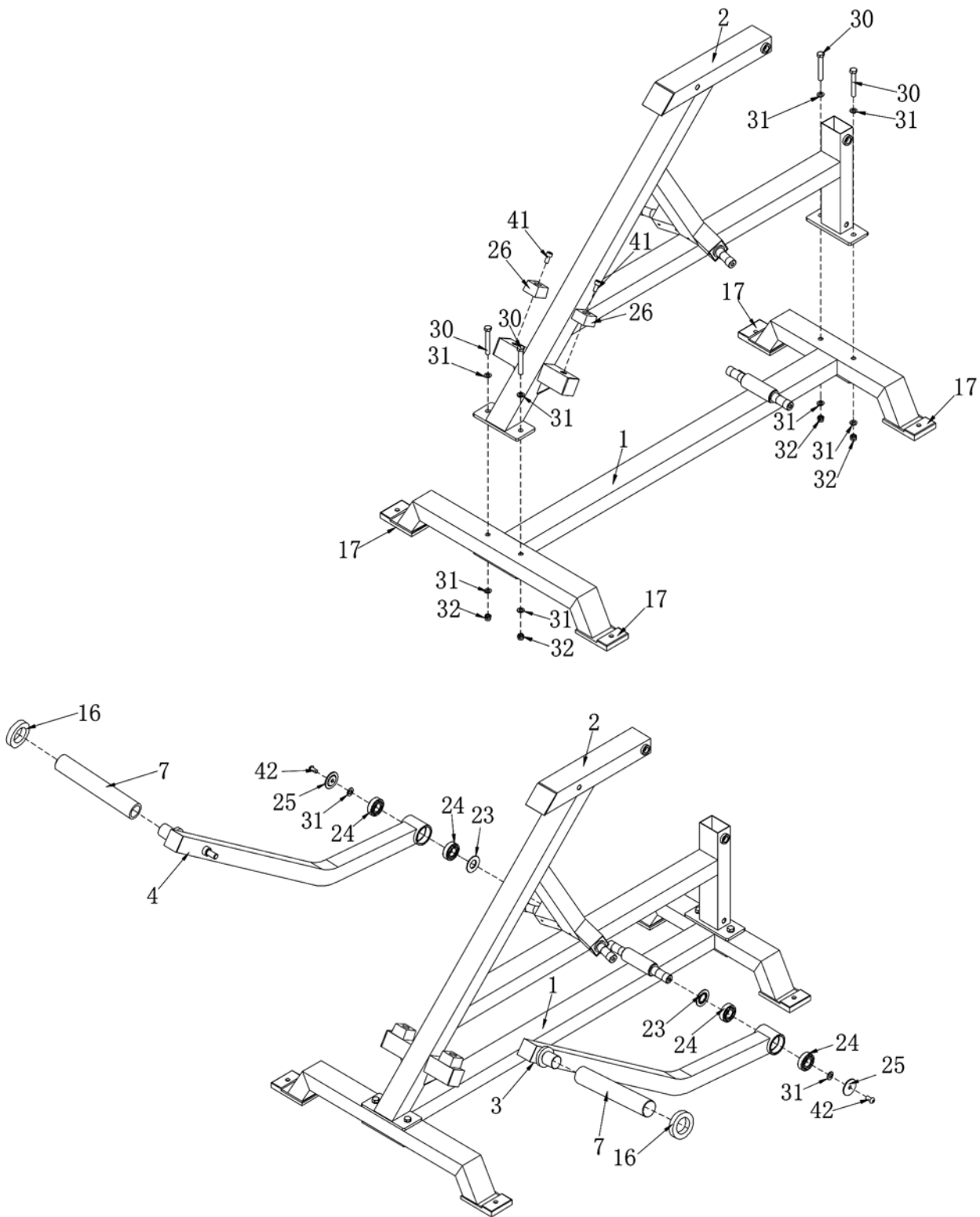
# LVSR



*Body-Solid*

**LVSR**

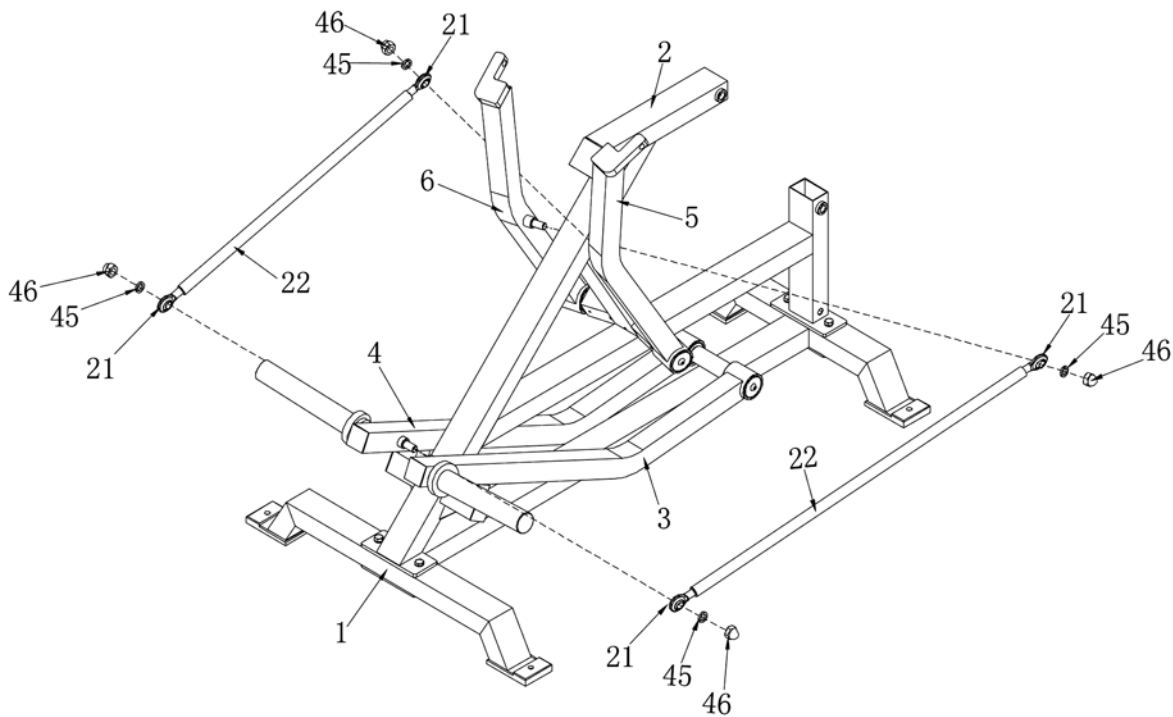
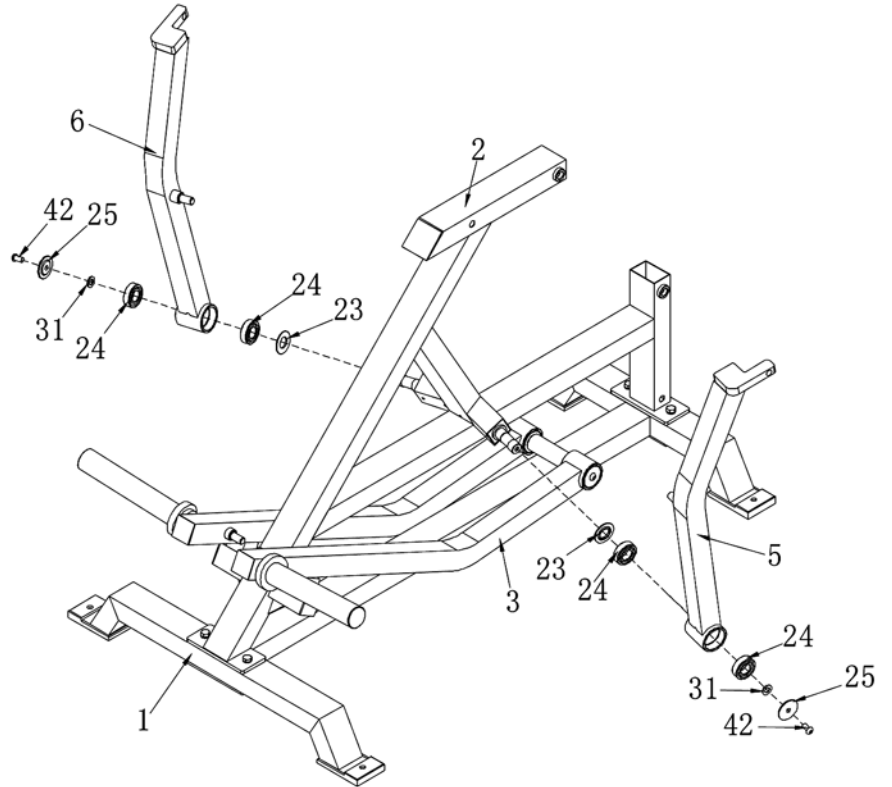
# ASSEMBLY INSTRUCTIONS



*Body-Solid*

**LVSr**

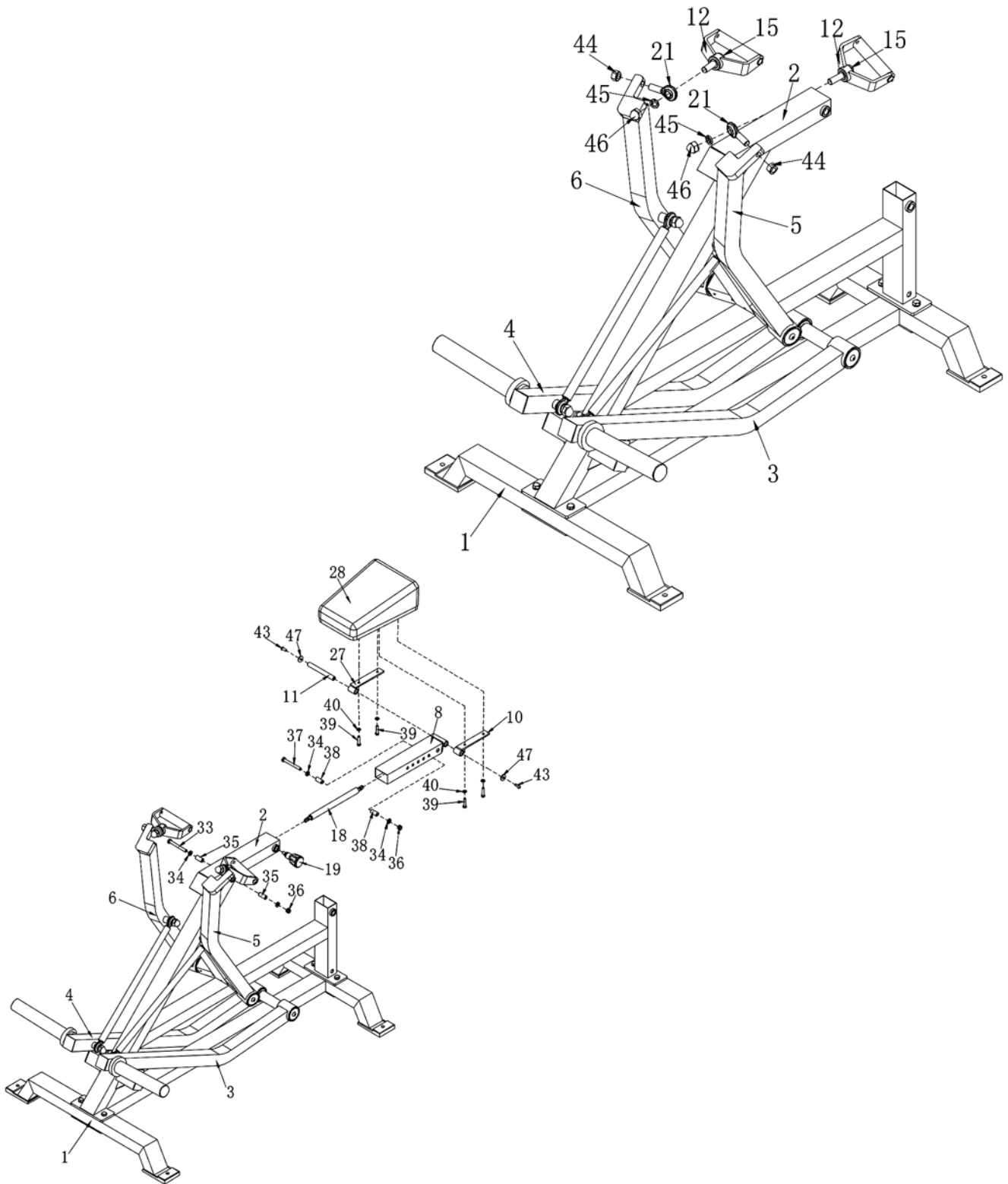
# ASSEMBLY INSTRUCTIONS



*Body - Solid*

**LVSr**

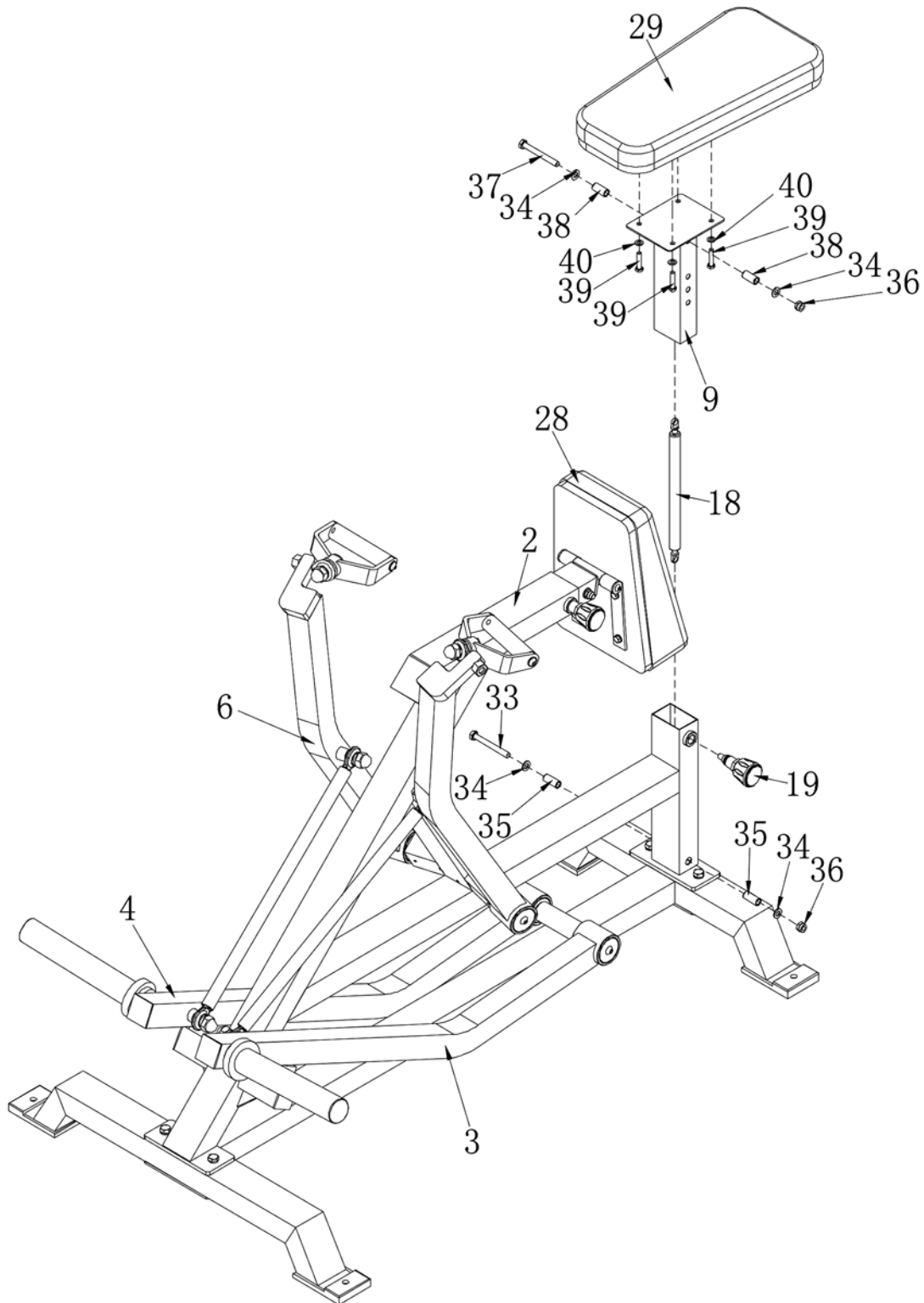
# ASSEMBLY INSTRUCTIONS



*Body-Solid*

**LVSR**

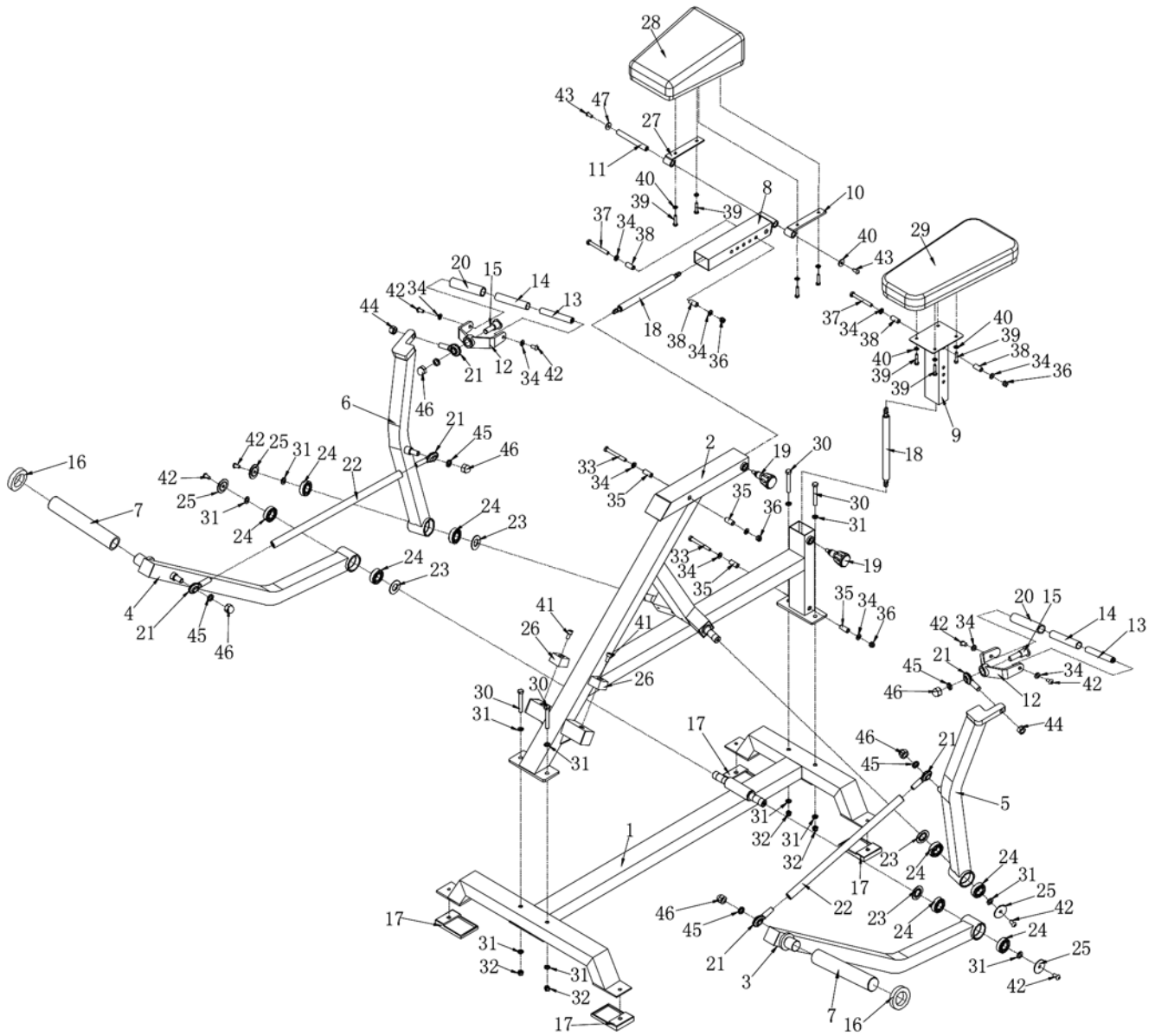
# ASSEMBLY INSTRUCTIONS



*Body-Solid*

**LVSR**

# EXPLODED VIEW



*Body-Solid*

**LVSR Hardware List**

No .	Description	Qty	No .	Description	Qty
1	Bottom Tube	1	25	*10.2 Washer for Bearing	4
2	Main Frame	1	26	48*48*30 Rubber Stoper	2
3	Left Pushing Arm	1	27	Shaft	1
4	Right Pushing Arm	1	28	Chest Pad	1
5	Left Tube	1	29	Seat Pad	1
6	Right Tube	1	30	M12*85 Hex Bolt	4
7	Loading Bar	2	31	*12 Washer	12
8	Connecting Tube	1	32	M12 Nylon Nut	4
9	Pad	1	33	M10*90 Hex Bolt	2
10	Left Tube	1	34	*12 Washer	8
11	Shaft	1	35	*15*34.5 Tube	4
12	U Shape Handle bar	2	36	M10 Nylon Nut	4
13	Shaft	2	37	M10*85 Hex Bolt	2
14	Bushing	2	38	*15*32 Tube	4
15	Tube	2	39	M8*30 Hex Bolt	8
16	*80**50*16 Rubber Stoper	2	40	*8 Washer	8
17	125*85 End Cap	4	41	M10*30 Hex Bolt	2
18	*20*511 Shock	2	42	M10*20 Hex Bolt	8
19	*10*90 Pop Pin	2	43	M8*20 Hex Bolt	2
20	Foam Grip	2	44	M16 Nylon Nut	2
21	M16 Screw	6	45	*16 Washer	6
22	Shaft	2	46	M16 Nylon Nut	6
23	*25.5 Washer for Bearing	4	47	Teflon Sticker	2
24	Shaft	8			